

### Product Description

#### Coolview® CLED23™

Advanced best-in-class lighting intensity, anti-microbial examination lamp.

Coolview CLED23 delivers the highest lighting performance and colour corrected light, reducing eye strain making the focus of the light vivid and tissues easily identified.

Providing uncompromising lighting performance for the clinician, its high intensity performance and colour corrected light make the focus of the examination vivid and natural. The CLED23 is a perfect light for dermatology, ENT, Gynaecology and sensitive areas such as neonatal and ICU departments.



### Product Images



Ceiling Mounted:  
CLED23TXC



Rail Mounted: CLED23TXRP

Wall Mount



Backplate Wall Mount



Desk mount



Mobile Base



### Product Features

#### Highest Light Quality

CLED23 emits 60,000 Lux of intense bright light at 0.5 m, providing a pool of clear light during procedures. The light intensity can be altered through 4 easily selectable settings providing a suitable level of intensity for all procedures.

#### Large Illuminated Area

A large illuminated area of 190 mm diameter makes it easy to examine large areas of tissue and makes it easier to target the light on the patient.

#### High Colour Rendition

CLED23 reproduces all of the visible colours naturally and accurately. The high Ra of 95 describes the exceptionally high quality of white light whilst the high R9 of 90 measurement describes how it accurately reproduces visible red.

#### Colour Control Settings

CLED23 allows the user to adjust the colour temperature of the light source. This enhances the clinician's ability to recognise and distinguish tissue conditions. The warm white (3,500 °K) setting is ideal for dermatological examinations and the daylight white setting (4,500 °K) is ideal for the recognition of blood vessels

#### Lasting Anti-microbial Protection

The CLED23 uses an anti-microbial active substance which is moulded into the lamp head, inhibiting the growth of micro-organisms including MRSA. This is more than an external coating and allows the lamp to be permanently resistant to contamination. Tests have shown that 99% of bacteria and germs are destroyed using the active substance.

#### Full Rotation of Light Head

The Coolview CLED23 light head boasts 360° rotation. This allows the user to position the light beam to suit any procedure, without any restrictive stops or twisted cables. This also means the examination light can be used to provide ambient room lighting by reflecting light from the ceiling. This is a feature often used in neonatal care to provide night lighting. Ceiling mounted models (CLED23T1C) also have unrestricted 360° rotation at the ceiling pole providing even more positioning flexibility.

#### Long Arm Reach, Large Angular Movements & Spring-Balanced Positioning

The exceptionally long, 1200 mm arm reach of the CLED23 ensures the powerful beam can be positioned all around the patient couch. This allows for 'head to toe' examination of the patient without the need for patient repositioning during examination. Innovative spring-balanced arm system ensures the light is positioned effortlessly, remains fixed in place and is maintenance-free.

#### Fully Enclosed Light Head and Intuitive Control Panel

The light head is sealed to prevent the ingress of dust and moisture to IP20.

The easy to use and ergonomic control pod allows all lighting features to be adjusted with a simple press of the button.

#### Mountings

The Light can be specified for mounting on the Ceiling, Wall (with or without Backplate), Desk, "Medirail" or on a Mobile Wheeled Base.

Images are representative of example system only - Mount styles vary depending on model

Please refer to drawing layout for model appearance information

Please contact one of our Sales Team to discuss your requirements further



Model Number	Description
CLED23T1C	Coolview CLED23 T1C Articulated Arm Ceiling Mounted Examination Lamp (With Stem)
CLED23T1N	Coolview CLED23 T1N Articulated Arm Ceiling Mounted Examination Lamp (No Stem)
CLED23TXC	Coolview CLED23 TX Articulated Arm Ceiling Mounted Examination Lamp (LR Stem)
CLED23TXBP	Coolview CLED23 TX Articulated Arm Wall Mounted with Backplate Examination Lamp with UK Plug Lead
CLED23TXDP	Coolview CLED23 TX Articulated Arm Desk Mounted Examination Lamp with UK Plug Lead
CLED23TXMP	Coolview CLED23 TX Articulated Arm Mobile Mounted Examination Lamp with UK Plug Lead
CLED23TXRP	Coolview CLED23 TX Articulated Arm Rail Mounted Examination Lamp with UK Plug Lead
CLED23TXWP	Coolview CLED23 TX Articulated Arm Wall Mounted Examination Lamp with UK Plug Lead

**Technical & Performance Information:** Unless otherwise stated: All linear dimensions in mm, angles in degrees (±5°) and weights in kg

General System Information	CLED23T1C	CLED23T1N	CLED23TXC	CLED23TXBP	CLED23TXDP	CLED23TXMP	CLED23TXRP	CLED23TXWP
Lamphead/Arm	CLED23T1			CLED23TX				
Mount Type	Ceiling Stem	Ceiling (No Stem)	Ceiling LR Stem	Backplate Wall Mount	Desk Mount	Mobile Base	Rail	Wall Mount
Weight (kg)	8.1	6.2	5.6	2.1	2.4	10	2.2	2.1
Additional Information	Direct Electrical Supply required to Stem			Power Lead - 1.8m C7 to UK plug [supplied loose]				
	In line C7 connector							
Medical Device Classification	I	I	I	I	I	I	I	I
Electrical Classification	I	I	I	II	II	II	II	II
Type of Luminaire	Examination (Luminaire for diagnosis)							
Electrical Conformity	BS EN 60601-1; BS EN 60601-2-41							
Conformity	CE (EU MDR 2017/745)							

Mount	Ceiling Stem	Ceiling (No Stem)	Ceiling LR Stem	Backplate Wall Mount	Desk Mount	Mobile Base	Rail	Wall Mount
Mount Size HxWxD (mm)	400 to 1660 x Ø310 x 100	Ø310	280 to 800 x Ø250 x 124	130 x 130 x 70	130 x 90 x 105	834 x Ø650	70 x 30 x 55	91 x 59 x 67
Weight of Mount (kg)	6.1	4.2	3.6	0.5	0.4	8	0.2	0.1
Fixing Type	Permanent	Permanent	Permanent	Permanent	Semi-Permanent	Mobile	Moveable	Permanent
Lateral Rotation (±5°)	360°	360°	310°	180°	360°	360°	360° max	180°
Interface Orientation	Vertical Down		15° up from horizontal	Vertical Up	Vertical Up	Vertical Up	Vertical Up	Vertical Up
Colour	White		White	White/Grey	Black	Grey/Black	Silver	Grey
Material	Steel/Plastic	Steel/Plastic	Steel	Steel/Plastic	Plastic	Steel/Plastic	Aluminium	Plastic

Lamphead/Arm data	CLED23T1	CLED23TX
Light On/Off switch location	Touch Panel on Rear of Lamphead	
Arm Type	Articulated (Spring)	
Fastener type	Ø16 mm Spigot Pin	
Base Joint Type and Angle (°)	Articulating 120°	Articulating 103°
Base Rotation about Spigot (°)	360	360 (max)
Elbow Angle (°)	177	180
Arm Reach	1080	
Lamphead Diameter (mm) Approx	240	
Lamphead Pitch (°)	±90°	
Lamphead Roll (°)	360°	
Lamphead & Arm Weight (kg) Approx	2	2
Power Supply Lead(s) [Plug]	Direct Supply	1.8 m [UK]

Lamphead/Arm Electrical data	CLED23T1	CLED23TX
Primary Power Supply	100-240VAC 50/60 Hz	
Secondary Power Supply Unit	Integral	
Power Consumption	21 W@ Nominal Intensity	
Ingress Protection Rating	IP20	

Lamphead Photometric Data	CLED23
Central Illuminance E <sub>c</sub> @ 0.5 metre (Lux max ±10%) *	60,000
Number & Type of Lights per Lamphead	16 LED
Field diameter D <sub>10</sub> @ 0.5 meter (mm)*	210
Field diameter D <sub>50</sub> @ 0.5 meter (mm)*	120
Nominal Working Distance from Lamphead m	0.5
Adjustable Colour (Red Balance) (°K)*	3,500 & 4,500
Colour Rendition Ra (Av R1-R8)	>95
Colour Rendition R9 (red)	>90
Additional	4 Dimming Levels
LED life (hours)	30,000

\* -10% +20%

Images are representative of example system only - Mount styles vary depending on model

Please refer to drawing layout for model appearance information

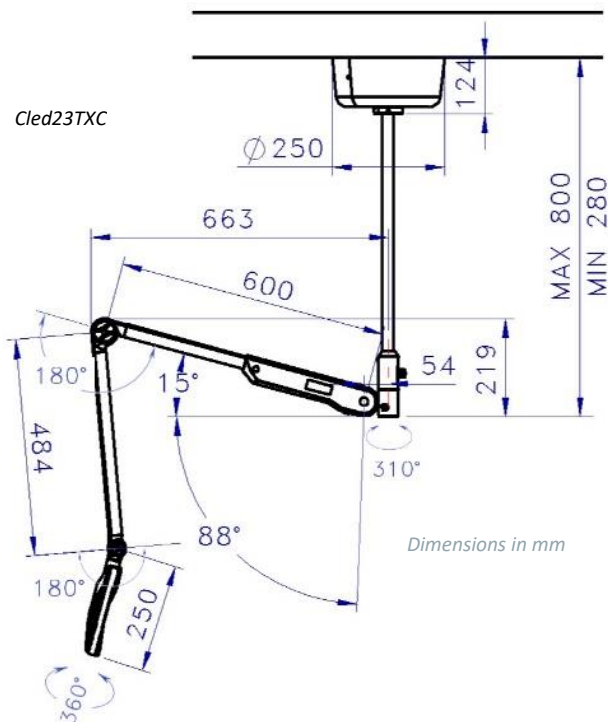
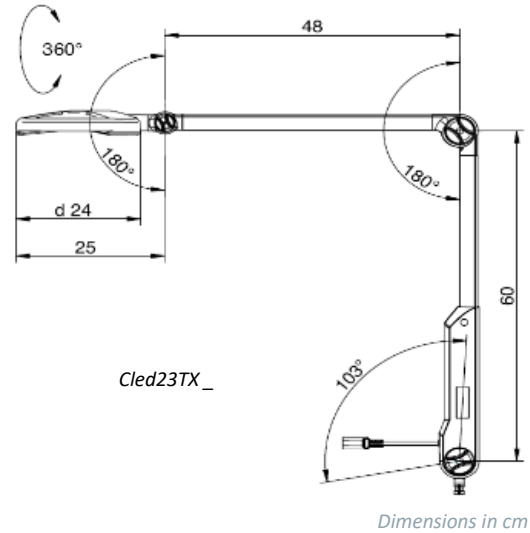
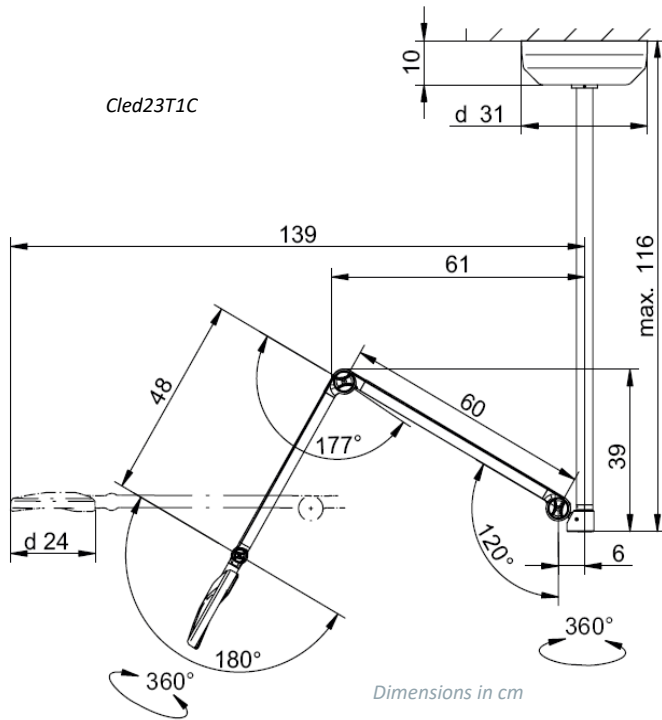
Please contact one of our Sales Team to discuss your requirements further



ELMFIELD ROAD | MORLEY | LEEDS | LS27 0EL | WEST YORKSHIRE | UNITED KINGDOM. T: +44 113 277 7393 / 0845 1243 666 F: +44 113 272 8844 / 0845 1243 667

E: enquiries@brandon-medical.com W: www.brandon-medical.com

Brandon Medical Company Limited. Registered in England & Wales No. 2827189. VAT No. GB734 591421. A subsidiary of Brandon Group Limited.



Images are representative of example system only - Mount styles vary depending on model  
Please refer to drawing layout for model appearance information  
Please contact one of our Sales Team to discuss your requirements further

